

**RECEIVED**  
CLERK'S OFFICE

APR 15 2004

**BEFORE THE ILLINOIS POLLUTION CONTROL BOARD**

STATE OF ILLINOIS  
Pollution Control Board

IN THE MATTER OF: )  
)  
Petition of Noveon, Inc. )  
) **AS 02-5**  
)  
)  
for an Adjusted Standard from )  
35 Ill. Adm. Code 304.122 )

**NOTICE OF FILING**

Dorothy M. Gunn, Clerk  
Illinois Pollution Control Board  
James R. Thompson Center  
100 West Randolph Street  
Suite 11-500  
Chicago, IL 60601

Deborah Williams  
Assistant Counsel  
Division of Legal Counsel  
Illinois Environmental Protection  
Agency  
1021 N. Grand Avenue East  
Springfield, IL 62794-9276

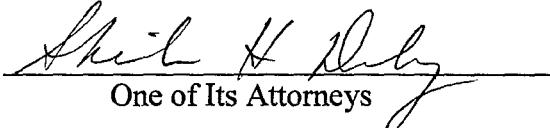
Bradley P. Halloran  
Hearing Officer  
Illinois Pollution Control Board  
James R. Thompson Center  
100 West Randolph Street  
Suite 11-500  
Chicago, IL 60601

**PLEASE TAKE NOTICE** that on **Thursday, April 15, 2004**, we filed the attached **Support Requested By Illinois EPA at the Hearing for Data Referenced in Table 1 of Petitioners Exhibit 11** with the Illinois Pollution Control Board, a copy of which is herewith served upon you.

Respectfully submitted,

NOVEON, INC.

By:

  
One of Its Attorneys

Richard J. Kissel  
Mark Latham  
Sheila H. Deely  
GARDNER CARTON & DOUGLAS LLP  
191 N. Wacker Drive – Suite 3700  
Chicago, IL 60606

**THIS FILING IS SUBMITTED ON RECYCLED PAPER**

**SUPPORT REQUESTED BY ILLINOIS EPA AT THE HEARING FOR DATA  
REFERENCED IN TABLE 1 OF PETITIONERS EXHIBIT 11**

| Date      | PC EQ Tank COD D1, mg/L | PC EQ Tank COD D2, mg/L | PC Tank Level | PC to Primary, gpm |
|-----------|-------------------------|-------------------------|---------------|--------------------|
| 7/1/2002  | 7090                    | 7190                    | 67.3          | 75.0               |
| 7/2/2002  | 7530                    | 7350                    | 70.0          | 75.0               |
| 7/3/2002  | 8390                    | 8230                    | 72.9          | 75.0               |
| 7/4/2002  | 7680                    | 7730                    | 76.0          | 74.9               |
| 7/6/2002  | 7810                    | 7500                    | 69.5          | 80.0               |
| 7/7/2002  | 7550                    | 7470                    | 67.8          | 80.0               |
| 7/8/2002  | 7530                    | 7470                    | 66.1          | 81.3               |
| 7/9/2002  | 7740                    | 7650                    | 65.4          | 80.0               |
| 7/10/2002 | 7720                    | 7630                    | 68.3          | 80.6               |
| 7/11/2002 | 7920                    | 7820                    | 70.9          | 80.0               |
| 7/12/2002 | 8340                    | 8270                    | 73.4          | 80.0               |
| 7/13/2002 | 8250                    | 8260                    | 75.6          | 80.0               |
| 7/13/2002 | 8460                    | 8530                    | 78.7          | 80.0               |
| 7/15/2002 | 8320                    | 8350                    | 80.8          | 80.0               |
| 7/16/2002 | 8360                    | 8400                    | 81.8          | 80.0               |
| 7/17/2002 | 8240                    | 8260                    | 81.9          | 80.0               |
| 7/18/2002 | 8100                    | 8260                    | 82.9          | 80.0               |
| 7/19/2002 | 8430                    | 8380                    | 83.9          | 81.2               |
| 7/20/2002 | 8310                    | 8270                    | 84.7          | 85.0               |
| 7/21/2002 | 7840                    | 8940                    | 85.5          | 85.0               |
| 7/22/2002 | 7640                    | 7760                    | 86.0          | 84.9               |
| 7/24/2002 | 7520                    | 7660                    | 88.5          | 84.9               |
| 7/25/2002 | 7720                    | 7780                    | 88.8          | 85.0               |
| 7/26/2002 | 7700                    | 7840                    | 89.6          | 85.0               |
| 7/27/2002 | 7150                    | 7090                    | 88.7          | 84.9               |
| 7/27/2002 | 7030                    | 6980                    | 88.4          | 85.0               |
| 7/28/2002 | 6900                    | 6930                    | 89.9          | 85.0               |
| 7/28/2002 | 6770                    | 6840                    | 90.0          | 89.2               |
| 7/29/2002 | 6580                    | 6620                    | 90.6          | 90.0               |
| 7/30/2002 | 6170                    | 6220                    | 91.9          | 90.0               |
| 7/31/2002 | 6210                    | 6220                    | 88.4          | 90.0               |
| 8/1/2002  | 6140                    | 6170                    | 84.4          | 90.0               |
| 8/2/2002  | 6070                    | 6250                    | 82.4          | 89.9               |
| 8/3/2002  | 5840                    | 5920                    | 82.5          | 89.9               |
| 8/4/2002  | 5460                    | 5490                    | 82.7          | 90.0               |
| 8/5/2002  | 5700                    | 5770                    | 85.1          | 90.0               |
| 8/6/2002  | 5540                    | 5550                    | 87.1          | 90.0               |
| 8/7/2002  | 5230                    | 5230                    | 89.6          | 99.0               |
| 8/8/2002  | 5300                    | 5300                    | 91.0          | 103.0              |
| 8/9/2002  | 5550                    | 5570                    | 88.0          | 110.0              |
| 8/10/2002 | 5840                    | 5800                    | 86.2          | 110.0              |
| 8/11/2002 | 5460                    | 5390                    | 83.2          | 110.0              |
| 8/12/2002 | 4730                    | 4750                    | 82.3          | 110.0              |
| 8/13/2002 | 5380                    | 5210                    | 79.4          | 110.0              |
| 8/14/2002 | 5240                    | 5280                    | 76.9          | 110.0              |
| 8/15/2002 | 5930                    | 5980                    | 75.9          | 109.9              |
| 8/16/2002 | 5810                    | 5790                    | 74.9          | 109.9              |
| 8/17/2002 | 5840                    | 5890                    | 76.9          | 107.1              |
| 8/19/2002 | 6550                    | 6480                    | 77.5          | 104.9              |
| 8/20/2002 | 6860                    | 6810                    | 76.4          | 105.0              |
| 8/20/2002 | 6800                    | 6730                    | 77.5          | 104.9              |

| Date       | PC EQ Tank COD D1, mg/L | PC EQ Tank COD D2, mg/L | PC Tank Level | PC to Primary, gpm |
|------------|-------------------------|-------------------------|---------------|--------------------|
| 8/21/2002  | 6340                    | 6290                    | 79.3          | 105.0              |
| 8/22/2002  | 6440                    | 6260                    | 81.1          | 105.0              |
| 8/23/2002  | 6340                    | 6260                    | 81.9          | 105.0              |
| 8/24/2002  | 6310                    | 6280                    | 82.0          | 105.0              |
| 8/25/2002  | 5950                    | 6040                    | 83.0          | 105.0              |
| 8/26/2002  | 5840                    | 5920                    | 82.0          | 105.0              |
| 8/27/2002  | 6070                    | 6020                    | 82.0          | 105.0              |
| 8/28/2002  | 6120                    | 6200                    | 81.9          | 104.9              |
| 8/29/2002  | 6760                    | 6570                    | 82.3          | 100.9              |
| 8/30/2002  | 6630                    | 6630                    | 83.5          | 100.0              |
| 8/31/2002  | 6730                    | 6780                    | 82.2          | 100.0              |
| 9/1/2002   | 6990                    | 6990                    | 82.5          | 100.0              |
| 9/2/2002   | 6250                    | 6280                    | 82.0          | 100.0              |
| 9/3/2002   | 6230                    | 6240                    | 79.7          | 100.0              |
| 9/4/2002   | 6440                    | 6390                    | 79.7          | 99.9               |
| 9/5/2002   | 6320                    | 6270                    | 81.3          | 100.0              |
| 9/7/2002   | 6270                    | 6420                    | 86.0          | 90.9               |
| 9/8/2002   | 5750                    | 5680                    | 91.3          | 90.0               |
| 9/8/2002   | 5630                    | 5580                    | 84.3          | 89.1               |
| 9/9/2002   | 5730                    | 5790                    | 79.1          | 62.2               |
| 9/10/2002  | 5790                    | 5770                    | 73.8          | 84.1               |
| 9/11/2002  | 5840                    | 5940                    | 78.9          | 90.0               |
| 9/12/2002  | 6200                    | 6140                    | 86.0          | 94.6               |
| 9/13/2002  | 6740                    | 6600                    | 92.6          | 11.4               |
| 9/14/2002  | 7480                    | 6770                    | 94.3          | 110.7              |
| 9/15/2002  | 6580                    | 6580                    | 94.9          | 110.0              |
| 9/16/2002  | 6510                    | 6460                    | 95.9          | 114.7              |
| 9/17/2002  | 6780                    | 6660                    | 90.1          | 119.1              |
| 9/18/2002  | 6540                    | 6560                    | 85.9          | 118.0              |
| 9/19/2002  | 6620                    | 7030                    | 87.0          | 117.0              |
| 9/20/2002  | 6640                    | 6690                    | 88.4          | 119.8              |
| 9/21/2002  | 6710                    | 6690                    | 87.0          | 119.8              |
| 9/22/2002  | 7470                    | 7430                    | 86.4          | 119.3              |
| 9/23/2002  | 7840                    | 7510                    | 87.9          | 119.2              |
| 9/24/2002  | 7210                    | 7420                    | 87.8          | 118.8              |
| 9/25/2002  | 7280                    | 7020                    | 86.6          | 119.0              |
| 9/26/2002  | 7560                    | 7490                    | 87.2          | 122.6              |
| 9/27/2002  | 6870                    | 6840                    | 88.1          | 125.0              |
| 9/28/2002  | 6370                    | 6480                    | 86.0          | 125.0              |
| 9/29/2002  | 6330                    | 6300                    | 85.0          | 125.0              |
| 9/30/2002  | 6340                    | 6380                    | 82.7          | 125.0              |
| 10/1/2002  | 6420                    | 6480                    | 76.9          | 120.0              |
| 10/2/2002  |                         |                         | 77.9          | 118.9              |
| 10/3/2002  |                         |                         | 80.7          | 118.1              |
| 10/4/2002  |                         |                         | 82.0          | 117.3              |
| 10/5/2002  |                         |                         | 83.4          | 121.3              |
| 10/6/2002  |                         |                         | 83.4          | 121.3              |
| 10/7/2002  |                         |                         | 85.2          | 122.5              |
| 10/8/2002  |                         |                         | 84.3          | 124.9              |
| 10/9/2002  |                         |                         | 84.1          | 125.0              |
| 10/10/2002 |                         |                         | 82.5          | 124.9              |

| Date       | PC EQ Tank COD D1, mg/L | PC EQ Tank COD D2, mg/L | PC Tank Level | PC to Primary, gpm |
|------------|-------------------------|-------------------------|---------------|--------------------|
| 10/10/2002 |                         |                         | 78.3          | 124.5              |
| 10/11/2002 |                         |                         | 75.2          | 123.7              |
| 10/12/2002 |                         |                         | 73.3          | 124.6              |
| 10/13/2002 |                         |                         | 71.5          | 120.5              |
| 10/14/2002 |                         |                         | 72.3          | 119.9              |
| 10/15/2002 | 6450                    | 6220                    | 74.4          | 111.8              |
| 10/16/2002 | 6430                    | 6570                    | 73.8          | 110.9              |
| 10/17/2002 | 6840                    | 7220                    | 74.0          | 110.0              |
| 10/18/2002 | 6040                    | 6050                    | 75.0          | 104.0              |
| 10/19/2002 | 7850                    | 7450                    | 75.9          | 99.9               |
| 10/20/2002 | 7270                    | 7070                    | 74.4          | 99.9               |
| 10/21/2002 | 8330                    | 8070                    | 76.4          | 100.0              |
| 10/22/2002 | 7790                    | 7470                    | 77.7          | 100.0              |
| 10/23/2002 | 7450                    | 7480                    | 79.2          | 99.9               |
| 10/24/2002 | 7880                    | 7780                    | 80.1          | 99.9               |
| 10/25/2002 | 7780                    | 7830                    | 81.5          | 99.9               |
| 10/26/2002 | 7750                    | 7850                    | 83.0          | 100.0              |
| 10/27/2002 | 8070                    | 8060                    | 85.0          | 100.0              |
| 10/28/2002 | 8480                    | 8430                    | 86.0          | 95.0               |
| 10/29/2002 | 7700                    | 7770                    | 89.0          | 95.0               |
| 10/30/2002 | 8240                    | 8260                    | 91.1          | 98.9               |
| 10/31/2002 | 8010                    | 7920                    | 88.5          | 99.9               |
| 11/1/2002  | 8160                    | 8300                    | 85.9          | 100.0              |
| 11/2/2002  | 8450                    | 8480                    | 83.0          | 100.0              |
| 11/3/2002  | 8070                    | 7970                    | 79.0          | 104.0              |
| 11/4/2002  | 8070                    | 7990                    | 76.0          | 100.0              |
| 11/5/2002  | 7780                    | 7630                    | 74.0          | 100.0              |
| 11/6/2002  | 7890                    | 8030                    | 72.8          | 99.9               |
| 11/7/2002  | 7840                    | 7730                    | 71.0          | 100.0              |
| 11/8/2002  | 7640                    | 7690                    | 71.0          | 100.0              |
| 11/9/2002  | 7840                    | 8100                    | 73.0          | 100.0              |
| 11/10/2002 | 7660                    | 7740                    | 74.0          | 105.0              |
| 11/11/2002 | 7810                    | 7810                    | 75.0          | 103.0              |
| 11/12/2002 | 8320                    | 8100                    | 76.0          | 105.0              |
| 11/13/2002 | 7940                    | 7800                    | 76.5          | 104.9              |
| 11/14/2002 | 7990                    | 7990                    | 77.3          | 105.0              |
| 11/15/2002 | 8000                    | 8070                    | 78.7          | 104.9              |
| 11/16/2002 | 8270                    | 8400                    | 79.0          | 104.9              |
| 11/17/2002 | 8240                    | 8250                    | 79.6          | 105.0              |
| 11/18/2002 | 8420                    | 8550                    | 80.6          | 100.0              |
| 11/19/2002 | 8590                    | 8600                    | 82.2          | 100.4              |
| 11/20/2002 | 9310                    | 9920                    | 81.7          | 99.9               |
| 11/21/2002 | 8810                    | 8880                    | 82.7          | 100.0              |
| 11/22/2002 | 8630                    | 8610                    | 84.0          | 100.0              |
| 11/23/2002 | 8710                    | 8770                    | 84.1          | 100.0              |
| 11/24/2002 | 8520                    | 8600                    | 84.6          | 103.2              |
| 11/25/2002 | 7860                    | 8040                    | 85.4          | 104.9              |
| 11/26/2002 | 8160                    | 7970                    | 86.1          | 104.9              |
| 11/27/2002 | 7700                    | 7490                    | 83.5          | 105.0              |
| 11/28/2002 | 8020                    | 7920                    | 81.0          | 105.0              |
| 11/29/2002 | 7470                    | 7460                    | 80.5          | 105.0              |

| Date       | PC EQ Tank COD D1 mg/L | PC EQ Tank COD D2 mg/L | PC Tank Level | PC to Primary, gpm |
|------------|------------------------|------------------------|---------------|--------------------|
| 11/30/2002 | 7700                   | 7750                   | 80.0          | 104.9              |
| 12/1/2002  | 7540                   | 7350                   | 80.1          | 104.9              |
| 12/2/2002  | 7410                   | 7490                   | 79.8          | 104.9              |
| 12/3/2002  | 7260                   | 7160                   | 78.6          | 104.9              |
| 12/4/2002  | 7460                   | 7440                   | 78.0          | 105.0              |
| 12/6/2002  | 7370                   | 7390                   | 77.4          | 100.9              |
| 12/7/2002  | 7370                   | 7330                   | 76.4          | 100.0              |
| 12/7/2002  | 6940                   | 6960                   | 75.0          | 100.0              |
| 12/8/2002  | 6960                   | 6890                   | 73.8          | 100.0              |
| 12/9/2002  | 6860                   | 6820                   | 73.0          | 100.0              |
| 1/1/2003   | 8330                   | 8360                   | 56.1          | 84.2               |
| 1/2/2003   | 8360                   | 8330                   | 59.0          | 90.0               |
| 1/3/2003   | 8160                   | 8000                   |               |                    |
| 1/4/2003   | 8160                   | 8210                   | 63.2          | 94.9               |
| 1/5/2003   | 8430                   | 8490                   | 64.9          | 99.4               |
| 1/6/2003   | 8630                   | 8430                   | 65.7          | 99.9               |
| 1/7/2003   | 8230                   | 8220                   | 67.0          | 99.9               |
| 1/8/2003   | 8160                   | 8210                   | 66.8          | 99.9               |
| 1/9/2003   | 8080                   | 8090                   | 66.5          | 99.9               |
| 1/10/2003  | 8060                   | 8280                   | 67.9          | 100.0              |
| 1/11/2003  | 8170                   | 8100                   | 68.9          | 100.0              |
| 1/12/2003  | 7940                   | 8010                   | 72.8          | 91.0               |
| 1/13/2003  | 7610                   | 7420                   | 76.0          | 90.0               |
| 1/14/2003  | 7520                   | 7350                   | 77.0          | 90.0               |
| 1/15/2003  | 7480                   | 7410                   | 79.0          | 90.0               |
| 1/16/2003  | 7150                   | 7070                   | 84.2          | 52.9               |
| 1/17/2003  | 6910                   | 6850                   | 87.8          | 50.0               |
| 1/18/2003  | 6520                   | 6590                   | 90.0          | 50.0               |
| 1/19/2003  | 6300                   | 6350                   | 91.5          | 50.0               |
| 1/20/2003  | 5830                   | 6090                   | 93.4          | 55.0               |
| 1/21/2003  | 5920                   | 5840                   | 93.2          | 59.7               |
| 1/22/2003  | 5970                   | 5920                   | 91.3          | 64.6               |
| 1/23/2003  | 6040                   | 5920                   | 93.8          | 69.1               |
| 1/24/2003  | 5500                   | 5390                   | 95.4          | 70.0               |
| 1/25/2003  | 5290                   | 5190                   | 95.2          | 74.5               |
| 1/26/2003  | 5010                   | 4980                   | 91.5          | 79.5               |
| 1/27/2003  | 5040                   | 5080                   | 91.2          | 84.0               |
| 1/28/2003  | 4990                   | 4930                   | 91.9          | 85.0               |
| 1/29/2003  | 4900                   | 4940                   | 91.9          | 85.0               |
| 1/30/2003  | 4750                   | 4550                   | 90.0          | 89.0               |
| 1/31/2003  | 4780                   | 4790                   | 89.1          | 90.0               |
| 2/1/2003   | 4990                   | 4870                   | 89.4          | 89.9               |
| 2/2/2003   | 4990                   | 5030                   | 86.5          | 94.0               |
| 2/3/2003   | 5160                   | 5320                   | 84.1          | 94.9               |
| 2/4/2003   | 5460                   | 5490                   | 81.6          | 99.4               |
| 2/5/2003   | 6110                   | 6030                   | 80.3          | 100.0              |
| 2/6/2003   | 6510                   | 6570                   | 78.7          | 99.9               |
| 2/7/2003   | 6620                   | 6580                   | 79.0          | 99.9               |
| 2/8/2003   | 6800                   | 6790                   | 79.1          | 100.0              |
| 2/9/2003   | 6740                   | 6810                   | 80.9          | 100.0              |
| 2/10/2003  | 6670                   | 6570                   | 81.7          | 100.0              |

| Date      | PC EQ Tank COD D1, mg/L | PC EQ Tank COD D2, mg/L | PC Tank Level | PC to Primary gpm |
|-----------|-------------------------|-------------------------|---------------|-------------------|
| 2/11/2003 | 5740                    | 5680                    | 82.5          | 100.0             |
| 2/12/2003 | 5970                    | 5990                    | 82.3          | 100.0             |
| 2/13/2003 | 6030                    | 5950                    | 82.0          | 100.0             |
| 2/14/2003 | 5830                    | 5880                    | 84.3          | 99.9              |
| 2/15/2003 | 5460                    | 5630                    | 84.8          | 99.9              |
| 2/16/2003 | 5720                    | 5810                    | 82.8          | 104.5             |
| 2/17/2003 | 5080                    | 5050                    | 85.0          | 104.9             |
| 2/18/2003 | 5570                    | 5390                    | 78.3          | 104.9             |
| 2/19/2003 | 5680                    | 5610                    | 79.0          | 104.9             |
| 2/20/2003 | 5520                    | 5390                    | 78.2          | 105.0             |
| 2/21/2003 | 5370                    | 5190                    | 77.3          | 100.6             |
| 2/22/2003 | 4840                    | 4830                    | 76.9          | 94.9              |
| 2/23/2003 | 4580                    | 4620                    | 77.9          | 95.0              |
| 2/24/2003 | 4570                    | 4540                    | 76.9          | 95.0              |
| 2/25/2003 | 4650                    | 4600                    | 78.9          | 95.0              |
| 2/26/2003 | 4740                    | 4620                    | 79.2          | 98.0              |
| 2/27/2003 | 4780                    | 4720                    | 83.9          | 100.0             |
| 2/28/2003 | 4600                    | 4620                    | 88.2          | 100.0             |
| 3/1/2003  | 4870                    | 4820                    | 92.9          | 105.0             |
| 3/2/2003  | 4590                    | 4700                    | 94.4          | 109.5             |
| 3/3/2003  | 4730                    | 4680                    | 95.9          | 114.5             |
| 3/4/2003  | 4750                    | 4640                    | 95.1          | 117.7             |
| 3/5/2003  | 4470                    | 4340                    | 93.3          | 119.9             |
| 3/6/2003  | 4100                    | 4070                    | 93.0          | 120.0             |
| 3/7/2003  | 3990                    | 3940                    | 92.6          | 124.3             |
| 3/8/2003  | 4080                    | 4040                    | 88.1          | 124.0             |
| 3/9/2003  | 4570                    | 4480                    | 87.9          | 118.0             |
| 3/10/2003 | 5240                    | 5120                    | 88.1          | 115.0             |
| 3/11/2003 | 5750                    | 5650                    | 89.3          | 115.0             |
| 3/12/2003 | 5750                    | 5710                    | 89.4          | 114.9             |
| 3/13/2003 | 5950                    | 5970                    | 86.3          | 114.9             |
| 3/14/2003 | 5680                    | 5600                    | 85.4          | 115.0             |
| 3/15/2003 | 5170                    | 5280                    | 82.5          | 115.0             |
| 3/16/2003 | 5390                    | 5370                    | 81.8          | 110.2             |
| 3/17/2003 | 5540                    | 5420                    | 83.8          | 110.0             |
| 3/18/2003 | 5340                    | 5200                    | 86.6          | 109.9             |
| 3/19/2003 | 5640                    | 5600                    | 88.2          | 110.0             |
| 3/20/2003 | 5850                    | 5640                    | 90.8          | 115.0             |
| 3/21/2003 | 6020                    | 6050                    | 91.2          | 118.9             |
| 3/22/2003 | 6570                    | 6530                    | 89.0          | 119.9             |
| 3/23/2003 | 7490                    | 7530                    | 88.5          | 115.4             |
| 3/24/2003 | 7550                    | 7590                    | 88.8          | 110.0             |
| 3/25/2003 | 7650                    | 7730                    | 88.7          | 106.1             |
| 3/26/2003 | 7930                    | 7920                    | 89.4          | 101.0             |
| 3/27/2003 | 7750                    | 7600                    | 90.8          | 96.0              |
| 3/28/2003 | 7420                    | 7470                    | 90.3          | 95.0              |
| 3/29/2003 | 7340                    | 7130                    | 89.2          | 90.0              |
| 3/30/2003 | 6730                    | 6810                    | 86.6          | 85.1              |
| 3/31/2003 | 6260                    | 6340                    | 87.4          | 85.0              |
| 4/1/2003  | 5990                    | 6030                    | 84.7          | 85.0              |
| 4/2/2003  | 5850                    | 5760                    | 83.4          | 85.0              |

| Date      | PC EQ Tank COD D1, mg/L | PC EQ Tank COD D2, mg/L | PC Tank Level | PC to Primary, gpm |
|-----------|-------------------------|-------------------------|---------------|--------------------|
| 4/3/2003  | 6000                    | 6000                    | 83.0          | 85.0               |
| 4/4/2003  | 5860                    | 5800                    | 81.4          | 88.9               |
| 4/5/2003  | 6000                    | 5950                    | 78.6          | 90.0               |
| 4/6/2003  | 6180                    | 6030                    | 75.6          | 86.0               |
| 4/7/2003  | 5890                    | 5870                    | 74.8          | 85.0               |
| 4/8/2003  | 5680                    | 5740                    | 71.6          | 85.0               |
| 4/9/2003  | 5930                    | 5860                    | 71.0          | 85.0               |
| 4/10/2003 | 5840                    | 5810                    | 69.2          | 85.0               |
| 4/11/2003 | 6210                    | 6070                    | 70.4          | 85.0               |
| 4/12/2003 | 6460                    | 6530                    | 71.6          | 85.0               |
| 4/13/2003 | 6110                    | 6210                    | 72.9          | 85.0               |
| 4/14/2003 | 6330                    | 6220                    | 71.5          | 85.0               |
| 4/15/2003 | 6250                    | 6200                    | 71.5          | 84.9               |
| 4/16/2003 | 6940                    | 6940                    | 72.0          | 84.9               |
| 4/17/2003 | 7170                    | 7040                    | 73.9          | 84.9               |
| 4/18/2003 | 7170                    | 7170                    | 75.4          | 84.9               |
| 4/19/2003 | 7400                    | 7160                    | 77.4          | 84.9               |
| 4/20/2003 | 6360                    | 6400                    | 79.2          | 85.0               |
| 4/21/2003 | 6940                    | 6850                    | 81.4          | 85.0               |
| 4/22/2003 | 6770                    | 6720                    | 81.5          | 85.0               |
| 4/23/2003 | 6590                    | 6610                    | 82.4          | 85.0               |
| 4/24/2003 | 6490                    | 6490                    | 84.1          | 85.0               |
| 4/25/2003 | 6460                    | 6430                    | 86.3          | 85.0               |
| 4/26/2003 | 6230                    | 6210                    | 87.9          | 85.0               |
| 4/27/2003 | 6380                    | 6410                    | 90.8          | 85.0               |
| 4/28/2003 | 6080                    | 5990                    | 88.3          | 84.8               |
| 4/29/2003 | 5770                    | 5790                    | 90.9          | 80.5               |
| 4/30/2003 | 5550                    | 5480                    | 89.5          | 84.6               |
| 5/1/2003  | 5300                    | 5340                    | 85.6          | 88.5               |
| 5/2/2003  | 5340                    | 5300                    | 83.0          | 94.1               |
| 5/3/2003  | 5080                    | 4960                    | 83.9          | 95.0               |
| 5/4/2003  | 5320                    | 5340                    | 83.0          | 95.0               |
| 5/5/2003  | 5190                    | 5030                    | 79.5          | 95.0               |
| 5/6/2003  | 5510                    | 5600                    | 79.8          | 95.0               |
| 5/7/2003  | 5440                    | 5400                    | 81.9          | 90.8               |
| 5/8/2003  | 5660                    | 5600                    | 82.3          | 90.0               |
| 5/9/2003  | 5820                    | 5820                    | 80.8          | 90.0               |
| 5/10/2003 | 5960                    | 5960                    | 79.7          | 90.0               |
| 5/11/2003 | 6220                    | 6190                    | 78.0          | 90.0               |
| 5/12/2003 | 5940                    | 5970                    | 76.2          | 89.9               |
| 5/13/2003 | 6380                    | 6610                    | 76.4          | 89.9               |
| 5/14/2003 | 7050                    | 7020                    | 75.7          | 90.0               |
| 5/15/2003 | 5560                    | 5540                    | 74.7          | 89.9               |
| 5/16/2003 | 6020                    | 6080                    | 73.0          | 89.9               |
| 5/17/2003 | 6530                    | 6510                    | 72.2          | 89.9               |
| 5/18/2003 | 6850                    | 6820                    | 72.0          | 83.4               |
| 5/20/2003 | 6610                    | 6570                    | 71.0          | 55.1               |
| 5/21/2003 | 6820                    | 6680                    | 70.7          | 55.0               |
| 5/22/2003 | 7060                    | 6880                    | 70.4          | 85.0               |
| 5/23/2003 | 7450                    | 7450                    | 70.8          | 82.0               |
| 5/24/2003 | 7610                    | 7630                    | 72.0          | 80.0               |



| Date      | PC EQ Tank COD D1 mg/L | PC EQ Tank COD D2 mg/L | PC Tank Level | PC to Primary gpm |
|-----------|------------------------|------------------------|---------------|-------------------|
| 5/25/2003 | 7820                   | 7850                   | 72.8          | 79.9              |
| 5/26/2003 | 7820                   | 7770                   | 74.4          | 79.9              |
| 5/27/2003 | 7730                   | 7920                   | 75.0          | 79.9              |
| 5/28/2003 | 7960                   | 7850                   | 74.6          | 80.0              |
| 5/29/2003 | 8030                   | 8010                   | 75.4          | 79.7              |
| 5/30/2003 | 8250                   | 8160                   | 75.5          | 80.0              |
| 5/31/2003 | 6140                   | 6140                   | 76.3          | 79.0              |
| 6/1/2003  | 6060                   | 5920                   | 76.8          | 65.0              |
| 6/2/2003  | 6450                   | 6300                   | 79.9          | 60.0              |
| 6/3/2003  | 6200                   | 6220                   | 84.4          | 60.0              |
| 6/4/2003  | 6030                   | 6020                   | 85.2          | 60.0              |
| 6/5/2003  | 5930                   | 5900                   | 86.9          | 60.0              |
| 6/6/2003  | 5780                   | 5760                   | 88.0          | 60.0              |
| 6/7/2003  | 6190                   | 6011                   | 89.2          | 63.0              |
| 6/8/2003  | 5420                   | 5440                   | 87.5          | 65.0              |
| 6/9/2003  | 5290                   | 5220                   | 86.1          | 65.0              |
| 6/10/2003 | 5340                   | 5480                   | 85.2          | 65.0              |
| 6/11/2003 | 6120                   | 6070                   | 85.1          | 69.8              |
| 6/12/2003 | 6110                   | 6110                   | 80.1          | 70.0              |
| 6/13/2003 | 6270                   | 6160                   | 78.6          | 70.0              |
| 6/14/2003 | 6120                   | 6110                   | 76.0          | 70.0              |
| 6/15/2003 | 6100                   | 5930                   | 73.4          | 70.0              |
| 6/16/2003 | 6370                   | 6300                   | 71.6          | 69.9              |
| 6/17/2003 | 6760                   | 6680                   | 70.5          | 70.0              |
| 6/18/2003 | 6970                   | 6840                   | 72.7          | 70.0              |
| 6/19/2003 | 7120                   | 7020                   | 74.1          | 70.0              |
| 6/20/2003 | 7160                   | 7190                   | 75.7          | 67.0              |
| 6/21/2003 | 7460                   | 7230                   | 78.0          | 65.0              |
| 6/22/2003 | 6990                   | 7030                   | 80.8          | 65.0              |
| 6/23/2003 | 7410                   | 7320                   | 84.4          | 68.4              |
| 6/24/2003 | 7350                   | 7250                   | 88.1          | 70.0              |
| 6/25/2003 | 6890                   | 6760                   | 93.5          | 70.0              |
| 6/26/2003 | 7120                   | 6860                   | 91.5          | 74.7              |
| 6/27/2003 | 6760                   | 6910                   | 91.3          | 74.9              |
| 6/28/2003 | 7100                   | 7070                   | 91.2          | 79.0              |
| 6/29/2003 | 7860                   | 7960                   | 93.9          | 80.0              |
| 6/30/2003 | 7400                   | 7440                   | 93.0          | 80.0              |
| 7/1/2003  | 7340                   | 7410                   | 91.4          | 77.0              |
| 7/2/2003  | 7810                   | 7740                   | 89.2          | 75.0              |
| 7/3/2003  | 7520                   | 7260                   | 86.9          | 78.5              |
| 7/4/2003  | 7390                   | 7650                   | 86.7          | 80.0              |
| 7/5/2003  | 7510                   | 7350                   | 87.1          | 82.9              |
| 7/6/2003  | 7140                   | 7030                   | 87.5          | 85.0              |
| 7/7/2003  | 7100                   | 7270                   | 91.6          | 88.0              |
| 7/8/2003  | 6170                   | 6210                   | 95.1          | 90.0              |
| 7/9/2003  | 6730                   | 6600                   | 87.0          | 92.5              |
| 7/10/2003 | 6660                   | 6650                   | 80.7          | 95.0              |
| 7/11/2003 | 6870                   | 6980                   | 80.6          | 95.0              |
| 7/12/2003 | 7330                   | 7330                   | 80.6          | 94.9              |
| 7/13/2003 | 7560                   | 7550                   | 80.9          | 94.9              |
| 7/14/2003 | 7640                   | 7560                   | 82.1          | 94.9              |

| Date      | PC EQ Tank COD D1, mg/L | PC EQ Tank COD D2, mg/L | PC Tank Level | PC to Primary, gpm |
|-----------|-------------------------|-------------------------|---------------|--------------------|
| 7/15/2003 | 7570                    | 7510                    | 81.9          | 94.9               |
| 7/16/2003 | 6790                    | 6680                    | 81.6          | 95.0               |
| 7/17/2003 | 6850                    | 6620                    | 81.4          | 95.0               |
| 7/18/2003 | 7100                    | 7060                    | 78.2          | 95.0               |
| 7/19/2003 | 7820                    | 7790                    | 77.1          | 95.0               |
| 7/20/2003 | 7420                    | 7360                    | 76.9          | 99.7               |
| 7/21/2003 | 7210                    | 7200                    | 76.2          | 100.0              |
| 7/22/2003 | 7250                    | 7180                    | 76.7          | 100.0              |
| 7/23/2003 | 6230                    | 6240                    | 77.0          | 100.0              |
| 7/24/2003 | 6560                    | 6450                    | 78.6          | 104.7              |
| 7/25/2003 | 7020                    | 7000                    | 77.1          | 104.9              |
| 7/26/2003 | 6460                    | 6570                    | 78.4          | 105.0              |
| 7/27/2003 | 6850                    | 6960                    | 77.5          | 105.0              |
| 7/28/2003 | 7700                    | 7470                    | 76.5          | 105.0              |
| 7/29/2003 | 8360                    | 7650                    | 78.6          | 88.0               |
| 7/30/2003 | 7930                    | 8110                    | 78.8          | 104.9              |
| 7/31/2003 | 8150                    | 8320                    | 76.9          | 105.0              |
| 8/1/2003  | 8290                    | 8440                    | 79.4          | 105.0              |
| 8/2/2003  | 8880                    | 8880                    | 74.6          | 104.9              |
| 8/3/2003  | 8730                    | 8570                    | 74.6          | 95.7               |
| 8/4/2003  | 7770                    | 8040                    | 75.7          | 94.9               |
| 8/5/2003  | 8350                    | 8320                    | 71.9          | 95.0               |
| 8/6/2003  | 8670                    | 8580                    | 67.9          | 95.0               |
| 8/7/2003  | 8900                    | 8870                    | 64.1          | 90.1               |
| 8/8/2003  | 9260                    | 8540                    | 60.6          | 88.8               |
| 8/9/2003  | 8650                    | 8620                    | 58.0          | 83.8               |
| 8/10/2003 | 8220                    | 8310                    | 59.2          | 80.0               |
| 8/11/2003 | 8230                    | 8180                    | 57.2          | 80.0               |
| 8/12/2003 | 8250                    | 8230                    | 55.7          | 79.9               |
| 8/13/2003 | 7280                    | 7170                    | 52.6          | 84.0               |
| 8/14/2003 | 6770                    | 6620                    | 50.6          | 85.0               |
| 8/15/2003 | 6480                    | 6460                    | 46.5          | 89.0               |
| 8/16/2003 | 7730                    | 7650                    | 44.1          | 90.0               |
| 8/17/2003 | 7280                    | 7250                    | 43.2          | 89.9               |
| 8/18/2003 | 6820                    | 6820                    | 43.5          | 94.5               |
| 8/19/2003 | 6690                    | 6690                    |               |                    |
| 8/21/2003 | 6310                    | 6330                    |               |                    |
| 8/22/2003 | 5940                    | 5810                    | 43.0          | 94.9               |
| 8/23/2003 | 5770                    | 5800                    | 41.0          | 95.0               |
| 8/24/2003 | 6130                    | 6030                    | 41.0          | 95.0               |
| 8/25/2003 | 6320                    | 6100                    | 41.6          | 94.9               |
| 8/26/2003 | 6040                    | 5970                    | 46.1          | 95.0               |
| 8/27/2003 | 6140                    | 6120                    | 42.9          | 95.0               |
| 8/28/2003 | 6050                    | 6060                    | 43.9          | 95.0               |
| 8/29/2003 | 5760                    | 5760                    | 44.4          | 95.0               |
| 8/30/2003 | 5730                    | 5760                    | 46.9          | 95.0               |
| 8/31/2003 | 6040                    | 5860                    | 49.4          | 95.0               |
| 9/1/2003  | 5350                    | 5340                    | 49.5          | 98.1               |
|           |                         |                         | 48.2          | 100.0              |
| Average   | 6731                    | 3349                    | 87            | 94                 |

| Date      | Average Daily PVC Lift Station<br>(gpm) | Average Daily PVC Lift Station<br>(mg/L COD) | 213 Flow<br>(gpm) |
|-----------|---|--|-------------------|
| 7/1/2002  | 133                                     | 549  | 45                |
| 7/2/2002  | 182                                     |  | 41                |
| 7/3/2002  | 198                                     | 635  | 40                |
| 7/4/2002  | 154                                     |  | 62                |
| 7/5/2002  | 156                                     | 933  | 51                |
| 7/6/2002  | 142                                     |  | 56                |
| 7/7/2002  | 164                                     |  | 38                |
| 7/8/2002  | 124                                     | 200  | 18                |
| 7/9/2002  | 136                                     |  | 18                |
| 7/10/2002 |   |  |                   |
| 7/11/2002 |   |  |                   |
| 7/12/2002 |   |  |                   |
| 7/13/2002 |   |  |                   |
| 7/14/2002 | 136                                     |  | 37                |
| 7/15/2002 |   |  |                   |
| 7/16/2002 |   |  |                   |
| 7/17/2002 |   |  |                   |
| 7/18/2002 |   |  |                   |
| 7/19/2002 |   |  |                   |
| 7/20/2002 | 161                                     | 49   | 53                |
| 7/21/2002 | 150                                     |  | 58                |
| 7/22/2002 | 152                                     |  | 43                |
| 7/23/2002 | 126                                     | 173  | 61                |
| 7/24/2002 |   |  |                   |
| 7/25/2002 |   |  |                   |
| 7/26/2002 | 183                                     |  | 66                |
| 7/27/2002 | 177                                     |  | 28                |
| 7/28/2002 | 148                                     |  | 61                |
| 7/29/2002 | 145                                     | 775  | 9                 |
| 7/30/2002 | 129                                     |  | 42                |
| 7/31/2002 | 154                                     | 917  | 19                |
| 8/1/2002  | 159                                     |  | 14                |
| 8/2/2002  | 157                                     | 982  | 33                |
| 8/3/2002  | 137                                     |  | 23                |
| 8/4/2002  | 162                                     |  | 59                |
| 8/5/2002  | 135                                     | 970  | 0                 |
| 8/6/2002  | 158                                     |  | 28                |
| 8/7/2002  | 169                                     | 146  | 19                |
| 8/8/2002  | 124                                     |  | 50                |
| 8/9/2002  | 178                                     | 95   | 44                |
| 8/10/2002 | 162                                     |  | 38                |
| 8/11/2002 | 139                                     |  | 65                |
| 8/12/2002 | 119                                     | 107  | 64                |
| 8/13/2002 | 172                                     |  | 66                |
| 8/14/2002 | 212                                     | 269  | 19                |
| 8/15/2002 | 205                                     |  | 66                |
| 8/16/2002 | 225                                     | 675  | 38                |
| 8/17/2002 | 195                                     |  | 39                |
| 8/18/2002 | 177                                     |  | 45                |
| 8/19/2002 | 198                                     | 516  | 44                |
| 8/20/2002 | 196                                     |  | 36                |
| 8/21/2002 | 241                                     | 594  | 31                |
| 8/22/2002 | 260                                     |  | 28                |
| 8/23/2002 | 192                                     | 357  | 20                |
| 8/24/2002 | 136                                     |  | 50                |
| 8/25/2002 | 118                                     |  | 36                |
| 8/26/2002 | 129                                     | 140  | 39                |
| 8/27/2002 | 207                                     |  | 65                |
| 8/28/2002 | 195                                     | 100  | 65                |
| 8/29/2002 | 198                                     | 100  | 49                |
| 8/30/2002 | 167                                     | 112  | 63                |
| 8/31/2002 | 148                                     | 112  | 47                |
| 9/1/2002  | 143                                     | 112  | 44                |
| 9/2/2002  | 141                                     | 821  | 62                |
| 9/3/2002  | 156                                     | 821  | 45                |
| 9/4/2002  | 191                                     | 781  | 28                |
| 9/5/2002  | 217                                     | 781  | 60                |
| 9/6/2002  | 194                                     | 571  | 36                |
| 9/7/2002  | 148                                     | 571  | 51                |
| 9/8/2002  |   | 571  |                   |
| 9/8/2002  | 159                                     |  | 0                 |
| 9/9/2002  | 99                                      | 554  | 16                |
| 9/10/2002 | 33                                      | 554  | 0                 |
| 9/11/2002 | 5                                       |  | 0                 |
| 9/12/2002 | 65                                      |  | 0                 |
| 9/13/2002 | 150                                     | 105  | 0                 |

| Date      | Average Daily PVC Lift Station<br>(mg/L TSS) |
|-----------|--|
| 6/27/2002 | 612  |
| 6/28/2002 | 1268   |
| 6/28/2002 | 1268   |
| 6/29/2002 | 1096   |
| 6/29/2002 | 1096   |
| 6/30/2002 | 1412   |
| 7/1/2002  | 1144   |
| 7/2/2002  | 5216   |
| 7/3/2002  | 1236   |
| 7/4/2002  | 3340   |
| 7/5/2002  | 4628   |
| 7/6/2002  | 848  |
| 7/7/2002  | 1828   |
| 7/8/2002  | 2752   |
| 7/8/2002  | 2752   |
| 7/9/2002  | 1636   |
| 7/10/2002 | 4308   |
| 7/11/2002 | 948  |
| 7/12/2002 | 1644   |
| 7/13/2002 | 2340   |
| 7/14/2002 | 1652   |
| 7/15/2002 | 1500   |
| 7/16/2002 | 1180   |
| 7/17/2002 | 5812   |
| 7/18/2002 | 2744   |
| 7/21/2002 | 2968   |
| 7/22/2002 | 5608   |
| 7/22/2002 |  |
| 7/23/2002 | 1632   |
| 7/24/2002 | 2312   |
| 7/25/2002 | 2012   |
| 7/26/2002 | 2132   |
| 7/27/2002 | 1852   |
| 7/28/2002 | 7272   |
| 7/29/2002 | 6120   |
| 7/30/2002 | 1944   |
| 7/31/2002 | 3064   |
| 8/1/2002  | 1236   |
| 8/2/2002  | 1992   |
| 8/3/2002  | 1188   |
| 8/4/2002  | 1328   |
| 8/5/2002  | 1212   |
| 8/6/2002  | 1044   |
| 8/7/2002  | 3912   |
| 8/8/2002  | 1532   |
| 8/9/2002  | 1136   |
| 8/11/2002 | 2904   |
| 8/12/2002 | 1288   |
| 8/13/2002 | 2664   |
| 8/13/2002 | 2664   |
| 8/14/2002 | 4912   |
| 8/15/2002 | 2932   |
| 8/16/2002 | 2168   |
| 8/17/2002 | 864  |
| 8/18/2002 | 1340   |
| 8/19/2002 | 1932   |
| 8/20/2002 | 952  |
| 8/21/2002 | 1088   |
| 8/22/2002 | 1376   |
| 8/23/2002 | 3552   |
| 8/24/2002 | 4740   |
| 8/25/2002 | 1168   |
| 8/26/2002 | 3248   |
| 8/27/2002 | 1624   |
| 8/28/2002 | 4204   |
| 8/29/2002 | 892  |
| 8/30/2002 | 1448   |
| 8/31/2002 | 1952   |
| 9/1/2002  | 3236   |
| 9/2/2002  | 1196   |
| 9/3/2002  | 1564   |
| 9/4/2002  | 1128   |
| 9/5/2002  | 3296   |
| 9/6/2002  | 848  |
| 9/7/2002  | 800  |
| 9/8/2002  | 880  |

| Date       | Average Daily PVC Lift Station<br>(gpm) | Average Daily PVC Lift Station<br>(mg/L COD) | 213 Flow<br>(gpm) |
|------------|---|--|-------------------|
| 9/14/2002  | 142                                     | 105  | 2                 |
| 9/15/2002  | 133                                     | 105  | 36                |
| 9/16/2002  | 136                                     | 428  | 40                |
| 9/17/2002  | 170                                     | 428  | 51                |
| 9/18/2002  | 172                                     | 25   | 42                |
| 9/19/2002  | 192                                     |  | 51                |
| 9/20/2002  | 136                                     | 512  | 59                |
| 9/21/2002  | 115                                     |  | 43                |
| 9/22/2002  | 119                                     |  | 32                |
| 9/23/2002  | 125                                     | 114  | 27                |
| 9/24/2002  | 178                                     | 114  | 35                |
| 9/25/2002  | 179                                     | 355  | 44                |
| 9/26/2002  | 187                                     | 355  | 28                |
| 9/27/2002  | 139                                     | 554  | 45                |
| 9/28/2002  | 180                                     | 554  | 51                |
| 9/29/2002  | 142                                     | 554  | 35                |
| 9/30/2002  | 157                                     | 575  | 50                |
| 10/1/2002  | 185                                     | 575  | 49                |
| 10/2/2002  | 117                                     | 142  | 51                |
| 10/3/2002  | 168                                     | 142  | 52                |
| 10/4/2002  | 117                                     | 158  | 55                |
| 10/5/2002  | 111                                     |  | 57                |
| 10/6/2002  | 107                                     |  | 56                |
| 10/7/2002  | 133                                     |  | 56                |
| 10/8/2002  | 133                                     |  | 36                |
| 10/9/2002  | 118                                     |  | 26                |
| 10/10/2002 | 120                                     |  | 37                |
| 10/11/2002 | 161                                     |  | 52                |
| 10/12/2002 | 78                                      |  | 32                |
| 10/13/2002 | 128                                     |  | 46                |
| 10/14/2002 | 118                                     |  | 25                |
| 10/15/2002 | 146                                     |  | 45                |
| 10/16/2002 | 158                                     |  | 32                |
| 10/17/2002 | 483                                     |  | 17                |
| 10/18/2002 | 119                                     | 713  | 12                |
| 10/19/2002 | 121                                     | 713  | 13                |
| 10/20/2002 | 112                                     | 713  | 21                |
| 10/21/2002 | 140                                     | 894  | 52                |
| 10/22/2002 | 138                                     | 420  | 18                |
| 10/23/2002 | 128                                     | 839  | 46                |
| 10/24/2002 | 118                                     | 839  | 12                |
| 10/25/2002 | 120                                     | 804  | 49                |
| 10/26/2002 | 87                                      |  | 18                |
| 10/27/2002 | 70                                      |  | 0                 |
| 10/28/2002 | 64                                      | 149  | 16                |
| 10/29/2002 | 69                                      |  | 6                 |
| 10/30/2002 | 106                                     | 443  | 13                |
| 10/31/2002 | 129                                     | 443  | 12                |
| 11/1/2002  | 148                                     | 443  | 15                |
| 11/2/2002  | 101                                     |  | 0                 |
| 11/3/2002  | 107                                     |  | 53                |
| 11/4/2002  | 126                                     | 789  | 33                |
| 11/5/2002  | 161                                     |  | 55                |
| 11/6/2002  | 120                                     | 491  | 53                |
| 11/7/2002  | 163                                     | 491  | 52                |
| 11/8/2002  | 130                                     | 289  | 54                |
| 11/9/2002  | 144                                     |  | 54                |
| 11/10/2002 | 134                                     |  | 54                |
| 11/11/2002 | 145                                     | 82   | 44                |
| 11/12/2002 | 166                                     |  | 47                |
| 11/13/2002 | 140                                     | 52   | 36                |
| 11/14/2002 | 174                                     |  | 41                |
| 11/15/2002 | 158                                     | 104  | 33                |
| 11/16/2002 | 127                                     |  | 42                |
| 11/17/2002 | 149                                     |  | 46                |
| 11/18/2002 | 146                                     | 1124   | 35                |
| 11/19/2002 | 164                                     |  | 48                |
| 11/20/2002 | 137                                     | 899  | 37                |
| 11/21/2002 | 102                                     |  | 38                |
| 11/22/2002 | 127                                     | 322  | 23                |
| 11/23/2002 | 107                                     |  | 32                |
| 11/24/2002 | 92                                      |  | 44                |
| 11/25/2002 | 93                                      | 672  | 46                |
| 11/26/2002 | 83                                      |  | 16                |
| 11/27/2002 | 119                                     | 1123   | 3                 |

| Date       | Average Daily PVC Lift Station<br>(mg/L TSS) |
|------------|--|
| 9/9/2002   | 10456  |
| 9/12/2002  | 952  |
| 9/13/2002  | 568  |
| 9/13/2002  | 568  |
| 9/14/2002  | 540  |
| 9/15/2002  | 764  |
| 9/16/2002  | 4224   |
| 9/17/2002  | 1364   |
| 9/18/2002  | 1312   |
| 9/19/2002  | 5236   |
| 9/20/2002  | 1108   |
| 9/21/2002  | 1268   |
| 9/22/2002  | 2768   |
| 9/23/2002  | 1008   |
| 9/24/2002  | 2992   |
| 9/25/2002  | 808  |
| 9/26/2002  | 3828   |
| 9/27/2002  | 2032   |
| 9/28/2002  | 5096   |
| 9/29/2002  | 2136   |
| 9/30/2002  | 1088   |
| 10/1/2002  | 1212   |
| 10/2/2002  | 3000   |
| 10/3/2002  | 1332   |
| 10/4/2002  | 3572   |
| 10/5/2002  | 1532   |
| 10/6/2002  | 1412   |
| 10/7/2002  | 1596   |
| 10/8/2002  | 2540   |
| 10/10/2002 | 1608   |
| 10/11/2002 | 2404   |
| 10/12/2002 | 1724   |
| 10/13/2002 | 1304   |
| 10/14/2002 | 1268   |
| 10/15/2002 | 1112   |
| 10/16/2002 | 2640   |
| 10/17/2002 | 1572   |
| 10/18/2002 | 1032   |
| 10/19/2002 | 656  |
| 10/20/2002 | 1540   |
| 10/21/2002 | 2896   |
| 10/22/2002 | 1020   |
| 10/23/2002 | 1144   |
| 10/25/2002 | 2912   |
| 10/26/2002 | 1688   |
| 10/27/2002 | 1800   |
| 10/28/2002 | 756  |
| 10/29/2002 | 1960   |
| 10/30/2002 | 1124   |
| 10/31/2002 | 1892   |
| 11/1/2002  |  |
| 11/2/2002  | 2216   |
| 11/3/2002  | 936  |
| 11/4/2002  | 1600   |
| 11/5/2002  | 2648   |
| 11/6/2002  | 5176   |
| 11/7/2002  | 2744   |
| 11/8/2002  | 2208   |
| 11/9/2002  | 1240   |
| 11/11/2002 | 1068   |
| 11/12/2002 | 1684   |
| 11/13/2002 | 1260   |
| 11/14/2002 | 1600   |
| 11/15/2002 | 1268   |
| 11/16/2002 | 1476   |
| 11/17/2002 | 2588   |
| 11/18/2002 | 940  |
| 11/19/2002 | 804  |
| 11/20/2002 | 1460   |
| 11/21/2002 | 2132   |
| 11/22/2002 | 1072   |
| 11/23/2002 | 1580   |
| 11/24/2002 | 1288   |
| 11/25/2002 | 1984   |
| 11/26/2002 | 2196   |

| Date       | Average Daily PVC Lift Station<br>(gpm) | Average Daily PVC Lift Station<br>(mg/L COD) | 213 Flow<br>(gpm) |
|------------|---|--|-------------------|
| 11/28/2002 | 65                                      |  | 31                |
| 11/29/2002 | 52                                      | 17   | 0                 |
| 11/30/2002 | 55                                      | 17   | 0                 |
| 12/1/2002  | 144                                     | 17   | 29                |
| 12/2/2002  | 116                                     | 530  | 0                 |
| 12/3/2002  | 152                                     | 530  | 57                |
| 12/4/2002  | 131                                     | 272  | 59                |
| 12/5/2002  | 151                                     |  | 48                |
| 12/6/2002  | 137                                     | 972  | 39                |
| 12/7/2002  | 105                                     |  | 47                |
| 12/8/2002  | 120                                     |  | 35                |
| 12/9/2002  | 145                                     | 817  | 54                |
| 12/10/2002 | 159                                     | 817  | 52                |
| 12/11/2002 | 153                                     | 739  | 24                |
| 12/12/2002 | 151                                     | 739  | 25                |
| 12/13/2002 | 133                                     | 889  | 31                |
| 12/14/2002 | 132                                     |  | 45                |
| 12/15/2002 | 114                                     |  | 54                |
| 12/16/2002 | 107                                     | 47   | 57                |
| 12/17/2002 | 93                                      |  | 28                |
| 12/18/2002 | 110                                     | 47   | 35                |
| 12/19/2002 | 121                                     |  | 46                |
| 12/20/2002 | 104                                     | 242  | 28                |
| 12/21/2002 | 86                                      |  | 37                |
| 12/22/2002 | 92                                      |  | 46                |
| 12/23/2002 | 65                                      | 33   | 36                |
| 12/24/2002 | 107                                     |  | 31                |
| 12/25/2002 | 37                                      | 13   | 0                 |
| 12/26/2002 | 37                                      |  | 0                 |
| 12/27/2002 | 41                                      | 27   | 27                |
| 12/28/2002 | 40                                      |  | 17                |
| 12/29/2002 | 34                                      |  | 16                |
| 12/30/2002 | 39                                      | 29   | 0                 |
| 12/31/2002 | 55                                      |  | 14                |
| 1/1/2003   | 88                                      | 13   | 5                 |
| 1/2/2003   | 85                                      |  | 2                 |
| 1/3/2003   | 84                                      | 98   | 24                |
| 1/4/2003   | 138                                     |  | 11                |
| 1/5/2003   | 127                                     |  | 52                |
| 1/6/2003   | 117                                     | 795  | 39                |
| 1/7/2003   | 115                                     | 795  | 37                |
| 1/8/2003   | 82                                      | 333  | 47                |
| 1/9/2003   | 130                                     |  | 54                |
| 1/10/2003  | 131                                     | 999  | 39                |
| 1/11/2003  | 153                                     |  | 52                |
| 1/12/2003  | 129                                     |  | 34                |
| 1/13/2003  | 127                                     | 1127   | 32                |
| 1/14/2003  | 74                                      | 541  | 44                |
| 1/15/2003  | 104                                     | 229  | 22                |
| 1/16/2003  | 139                                     | 229  | 45                |
| 1/17/2003  | 93                                      | 720  | 47                |
| 1/18/2003  | 97                                      | 73   | 48                |
| 1/19/2003  | 138                                     | 253  | 48                |
| 1/20/2003  | 171                                     | 535  | 47                |
| 1/21/2003  | 165                                     | 583  | 10                |
| 1/22/2003  | 210                                     | 725  | 31                |
| 1/23/2003  | 182                                     | 506  | 18                |
| 1/24/2003  | 119                                     | 762  | 40                |
| 1/25/2003  | 128                                     | 1228   | 41                |
| 1/26/2003  | 143                                     | 1028   | 44                |
| 1/27/2003  | 152                                     | 847  | 54                |
| 1/28/2003  | 165                                     | 456  | 46                |
| 1/29/2003  | 161                                     | 704  | 37                |
| 1/30/2003  | 104                                     | 411  | 53                |
| 1/31/2003  | 101                                     | 133  | 28                |
| 2/1/2003   | 82                                      | 59   | 36                |
| 2/2/2003   | 101                                     | 43   | 61                |
| 2/3/2003   | 114                                     | 102  | 61                |
| 2/4/2003   | 114                                     | 52   | 58                |
| 2/5/2003   | 106                                     | 43   | 46                |
| 2/6/2003   | 136                                     | 415  | 59                |
| 2/7/2003   | 120                                     | 57   | 47                |
| 2/8/2003   | 104                                     | 57   | 22                |
| 2/9/2003   | 130                                     | 71   | 26                |

| Date       | Average Daily PVC Lift Station<br>(mg/L TSS) |
|------------|--|
| 11/27/2002 | 1960   |
| 11/28/2002 | 6468   |
| 11/29/2002 | 384  |
| 11/30/2002 | 140  |
| 12/1/2002  | 196  |
| 12/2/2002  | 1924   |
| 12/3/2002  | 2416   |
| 12/4/2002  | 3204   |
| 12/5/2002  | 3148   |
| 12/6/2002  | 1508   |
| 12/7/2002  | 1244   |
| 12/8/2002  | 4664   |
| 12/9/2002  | 2324   |
| 12/10/2002 | 1660   |
| 12/11/2002 | 1900   |
| 12/12/2002 | 924  |
| 12/13/2002 | 1436   |
| 12/14/2002 | 2536   |
| 12/15/2002 | 3780   |
| 12/16/2002 | 1932   |
| 12/17/2002 | 2972   |
| 12/18/2002 | 776  |
| 12/19/2002 | 1532   |
| 12/20/2002 | 2704   |
| 12/21/2002 | 1860   |
| 12/22/2002 | 2100   |
| 12/23/2002 | 2908   |
| 12/24/2002 | 9200   |
| 12/25/2002 | 1724   |
| 12/26/2002 | 536  |
| 12/27/2002 | 372  |
| 12/28/2002 | 1208   |
| 12/29/2002 | 120  |
| 12/30/2002 | 388  |
| 12/31/2002 | 348  |
| 1/1/2003   | 396  |
| 1/2/2003   | 204  |
| 1/3/2003   | 500  |
| 1/4/2003   | 540  |
| 1/5/2003   | 1544   |
| 1/6/2003   | 1144   |
| 1/7/2003   | 1912   |
| 1/8/2003   | 1104   |
| 1/9/2003   | 1768   |
| 1/10/2003  | 2940   |
| 1/11/2003  | 1212   |
| 1/12/2003  | 3568   |
| 1/13/2003  | 2052   |
| 1/15/2003  | 2472   |
| 1/16/2003  | 1532   |
| 1/17/2003  | 3844   |
| 1/18/2003  | 1468   |
| 1/19/2003  | 1628   |
| 1/20/2003  | 2472   |
| 1/21/2003  | 1024   |
| 1/22/2003  | 1692   |
| 1/23/2003  | 2760   |
| 1/24/2003  | 1400   |
| 1/25/2003  | 616  |
| 1/26/2003  | 916  |
| 1/27/2003  | 740  |
| 1/28/2003  | 2244   |
| 1/29/2003  | 1104   |
| 1/30/2003  | 4008   |
| 1/31/2003  | 1968   |
| 2/1/2003   | 1016   |
| 2/2/2003   | 1420   |
| 2/3/2003   | 3056   |
| 2/4/2003   | 2216   |
| 2/5/2003   | 1588   |
| 2/6/2003   | 3084   |
| 2/7/2003   | 1084   |
| 2/8/2003   | 2108   |
| 2/9/2003   | 2992   |
| 2/10/2003  | 3400   |

| Date      | Average Daily PVC Lift Station<br>(gpm) | Average Daily PVC Lift Station<br>(mg/L COD) | 213:Flow<br>(gpm) |
|-----------|---|--|-------------------|
| 2/10/2003 | 116                                     | 896  | 47                |
| 2/11/2003 | 153                                     | 1049   | 43                |
| 2/12/2003 | 132                                     | 918  | 22                |
| 2/13/2003 | 148                                     | 872  | 33                |
| 2/14/2003 | 139                                     | 1135   | 28                |
| 2/15/2003 | 149                                     | 885  | 32                |
| 2/16/2003 | 126                                     | 1162   | 43                |
| 2/17/2003 | 87                                      | 574  | 35                |
| 2/18/2003 | 112                                     | 64   | 39                |
| 2/19/2003 | 121                                     | 119  | 48                |
| 2/20/2003 | 82                                      | 293  | 51                |
| 2/21/2003 | 73                                      | 99   | 11                |
| 2/22/2003 | 93                                      | 46   | 23                |
| 2/23/2003 | 108                                     | 14   | 47                |
| 2/24/2003 | 107                                     | 80   | 52                |
| 2/25/2003 | 134                                     | 42   | 56                |
| 2/26/2003 | 103                                     | 35   | 55                |
| 2/27/2003 | 122                                     | 63   | 46                |
| 2/28/2003 | 132                                     | 35   | 59                |
| 3/1/2003  | 120                                     | 336  | 38                |
| 3/2/2003  | 142                                     | 1254   | 44                |
| 3/3/2003  | 142                                     | 1003   | 42                |
| 3/4/2003  | 169                                     | 999  | 27                |
| 3/5/2003  | 177                                     | 603  | 34                |
| 3/6/2003  | 157                                     | 1196   | 46                |
| 3/7/2003  | 161                                     | 622  | 48                |
| 3/8/2003  | 141                                     | 757  | 36                |
| 3/9/2003  | 117                                     | 157  | 55                |
| 3/10/2003 | 170                                     | 1215   | 24                |
| 3/11/2003 | 163                                     | 561  | 7                 |
| 3/12/2003 | 182                                     | 333  | 32                |
| 3/13/2003 | 192                                     | 592  | 50                |
| 3/14/2003 | 147                                     | 602  | 55                |
| 3/15/2003 | 101                                     | 48   | 27                |
| 3/16/2003 | 103                                     | 43   | 49                |
| 3/17/2003 | 116                                     | 35   | 54                |
| 3/18/2003 | 158                                     | 9  | 54                |
| 3/19/2003 | 144                                     | 173  | 44                |
| 3/20/2003 | 159                                     | 42   | 26                |
| 3/21/2003 | 111                                     | 142  | 0                 |
| 3/22/2003 | 130                                     | 110  | 35                |
| 3/23/2003 | 123                                     | 49   | 14                |
| 3/24/2003 | 106                                     | 25   | 49                |
| 3/25/2003 | 140                                     | 350  | 40                |
| 3/26/2003 | 151                                     | 773  | 0                 |
| 3/27/2003 | 140                                     | 777  | 27                |
| 3/28/2003 | 120                                     | 98   | 17                |
| 3/29/2003 | 149                                     | 401  | 34                |
| 3/30/2003 | 131                                     | 653  | 36                |
| 3/31/2003 | 89                                      | 620  | 19                |
| 4/1/2003  | 144                                     | 349  | 25                |
| 4/2/2003  | 167                                     | 499  | 38                |
| 4/3/2003  | 177                                     | 82   | 33                |
| 4/4/2003  | 170                                     | 519  | 46                |
| 4/5/2003  | 153                                     | 734  | 28                |
| 4/6/2003  | 110                                     | 428  | 54                |
| 4/7/2003  | 146                                     | 504  | 43                |
| 4/8/2003  | 132                                     | 612  | 51                |
| 4/9/2003  | 149                                     | 572  | 37                |
| 4/10/2003 | 157                                     | 725  | 52                |
| 4/11/2003 | 131                                     | 149  | 46                |
| 4/12/2003 | 113                                     | 10   | 37                |
| 4/13/2003 | 95                                      | 58   | 19                |
| 4/14/2003 | 115                                     | 24   | 48                |
| 4/15/2003 | 139                                     | 18   | 47                |
| 4/16/2003 | 138                                     | 144  | 51                |
| 4/17/2003 | 135                                     | 21   | 50                |
| 4/18/2003 | 170                                     | 70   | 53                |
| 4/19/2003 | 81                                      | 34   | 16                |
| 4/20/2003 | 100                                     | 603  | 0                 |
| 4/21/2003 | 113                                     | 1409   | 33                |
| 4/22/2003 | 144                                     | 129  | 3                 |
| 4/23/2003 | 164                                     | 595  | 18                |
| 4/24/2003 | 93                                      | 571  | 19                |
| 4/25/2003 | 86                                      | 597  | 18                |
| 4/26/2003 | 119                                     | 867  | 8                 |

| Date      | Average Daily PVC Lift Station<br>(mg/L TSS) |
|-----------|--|
| 2/11/2003 | 1012   |
| 2/12/2003 | 1796   |
| 2/14/2003 | 1204   |
| 2/15/2003 | 1496   |
| 2/16/2003 | 1332   |
| 2/17/2003 | 3656   |
| 2/18/2003 | 1192   |
| 2/19/2003 | 1220   |
| 2/20/2003 | 13950  |
| 2/21/2003 | 5236   |
| 2/22/2003 | 1536   |
| 2/23/2003 | 1608   |
| 2/24/2003 | 1276   |
| 2/25/2003 | 1892   |
| 2/26/2003 | 1356   |
| 2/27/2003 | 2820   |
| 2/28/2003 | 940  |
| 3/1/2003  | 1468   |
| 3/2/2003  | 1992   |
| 3/3/2003  | 1652   |
| 3/4/2003  | 2116   |
| 3/5/2003  | 916  |
| 3/6/2003  | 1512   |
| 3/7/2003  | 3316   |
| 3/8/2003  | 1188   |
| 3/9/2003  | 2772   |
| 3/10/2003 | 1188   |
| 3/11/2003 | 2524   |
| 3/12/2003 | 1192   |
| 3/13/2003 | 1072   |
| 3/14/2003 | 3352   |
| 3/15/2003 | 1012   |
| 3/16/2003 | 1100   |
| 3/17/2003 | 964  |
| 3/18/2003 | 1640   |
| 3/19/2003 | 1068   |
| 3/20/2003 | 1128   |
| 3/21/2003 | 900  |
| 3/22/2003 | 832  |
| 3/23/2003 | 1128   |
| 3/24/2003 | 1668   |
| 3/25/2003 | 2632   |
| 3/26/2003 | 1656   |
| 3/27/2003 | 1836   |
| 3/28/2003 | 2076   |
| 3/29/2003 | 1860   |
| 3/30/2003 | 2756   |
| 3/31/2003 | 800  |
| 4/1/2003  | 6288   |
| 4/2/2003  | 1152   |
| 4/3/2003  | 2460   |
| 4/4/2003  | 1104   |
| 4/5/2003  | 1824   |
| 4/6/2003  | 2808   |
| 4/7/2003  | 1132   |
| 4/8/2003  | 1432   |
| 4/9/2003  | 2128   |
| 4/10/2003 | 2036   |
| 4/11/2003 | 1356   |
| 4/12/2003 | 1416   |
| 4/13/2003 | 2504   |
| 4/14/2003 | 2028   |
| 4/15/2003 | 2848   |
| 4/16/2003 | 1688   |
| 4/17/2003 | 1000   |
| 4/18/2003 | 1504   |
| 4/19/2003 | 1620   |
| 4/20/2003 | 1184   |
| 4/21/2003 | 1032   |
| 4/22/2003 | 596  |
| 4/23/2003 | 584  |
| 4/24/2003 | 984  |
| 4/25/2003 | 2016   |
| 4/26/2003 | 1924   |
| 4/27/2003 | 3320   |
| 4/28/2003 | 1220   |

| Date      | Average Daily PVC Lift Station<br>(gpm) | Average Daily PVC Lift Station<br>(mg/L COD) | 213 Flow<br>(gpm) |
|-----------|---|--|-------------------|
| 4/27/2003 | 87                                      | 129  | 10                |
| 4/28/2003 | 103                                     | 1198   | 22                |
| 4/29/2003 | 114                                     | 827  | 0                 |
| 4/30/2003 | 129                                     | 631  | 37                |
| 5/1/2003  | 150                                     | 152  | 4                 |
| 5/2/2003  | 116                                     | 122  | 20                |
| 5/3/2003  | 120                                     | 171  | 21                |
| 5/4/2003  | 108                                     | 315  | 30                |
| 5/5/2003  | 171                                     | 1019   | 34                |
| 5/6/2003  | 152                                     | 35   | 29                |
| 5/7/2003  | 177                                     | 716  | 40                |
| 5/8/2003  | 111                                     | 558  | 46                |
| 5/9/2003  | 105                                     | 210  | 45                |
| 5/10/2003 | 146                                     | 34   | 55                |
| 5/11/2003 | 125                                     | 875  | 25                |
| 5/12/2003 | 102                                     | 567  | 4                 |
| 5/13/2003 | 140                                     | 66   | 50                |
| 5/14/2003 | 161                                     | 885  | 25                |
| 5/15/2003 | 167                                     | 825  | 15                |
| 5/16/2003 | 167                                     | 683  | 50                |
| 5/17/2003 | 121                                     | 282  | 21                |
| 5/18/2003 | 159                                     | 691  | 51                |
| 5/19/2003 | 139                                     | 929  | 52                |
| 5/20/2003 | 165                                     | 760  | 10                |
| 5/21/2003 | 135                                     | 831  | 30                |
| 5/22/2003 | 87                                      |  | 16                |
| 5/23/2003 | 108                                     | 140  | 0                 |
| 5/24/2003 | 140                                     | 216  | 46                |
| 5/25/2003 | 130                                     |  | 11                |
| 5/26/2003 | 118                                     | 52   | 52                |
| 5/27/2003 | 93                                      | 105  | 52                |
| 5/28/2003 | 216                                     | 112  | 49                |
| 5/29/2003 | 109                                     | 57   | 19                |
| 5/30/2003 | 96                                      | 29   | 0                 |
| 5/31/2003 | 103                                     | 78   | 12                |
| 6/1/2003  | 109                                     | 14   | 19                |
| 6/2/2003  | 113                                     | 118  | 50                |
| 6/3/2003  | 123                                     | 60   | 54                |
| 6/4/2003  | 79                                      | 48   | 18                |
| 6/5/2003  | 162                                     | 284  | 48                |
| 6/6/2003  | 166                                     |  | 34                |
| 6/7/2003  | 143                                     | 890  | 49                |
| 6/8/2003  | 145                                     | 798  | 47                |
| 6/9/2003  | 141                                     | 778  | 35                |
| 6/10/2003 | 161                                     | 746  | 52                |
| 6/11/2003 | 205                                     | 536  | 40                |
| 6/12/2003 | 157                                     | 731  | 52                |
| 6/13/2003 | 207                                     | 425  | 31                |
| 6/14/2003 | 127                                     | 350  | 21                |
| 6/15/2003 | 158                                     | 726  | 25                |
| 6/16/2003 | 142                                     | 803  | 32                |
| 6/17/2003 | 150                                     | 606  | 51                |
| 6/18/2003 | 117                                     | 191  | 24                |
| 6/19/2003 | 96                                      | 17   | 25                |
| 6/20/2003 | 75                                      | 1497   | 25                |
| 6/21/2003 | 90                                      | 27   | 18                |
| 6/22/2003 | 79                                      | 20   | 17                |
| 6/23/2003 | 110                                     | 30   | 20                |
| 6/24/2003 | 124                                     | 38   | 27                |
| 6/25/2003 | 119                                     | 15   | 31                |
| 6/26/2003 | 83                                      | 17   | 21                |
| 6/27/2003 | 120                                     | 92   | 28                |
| 6/28/2003 | 113                                     | 53   | 4                 |

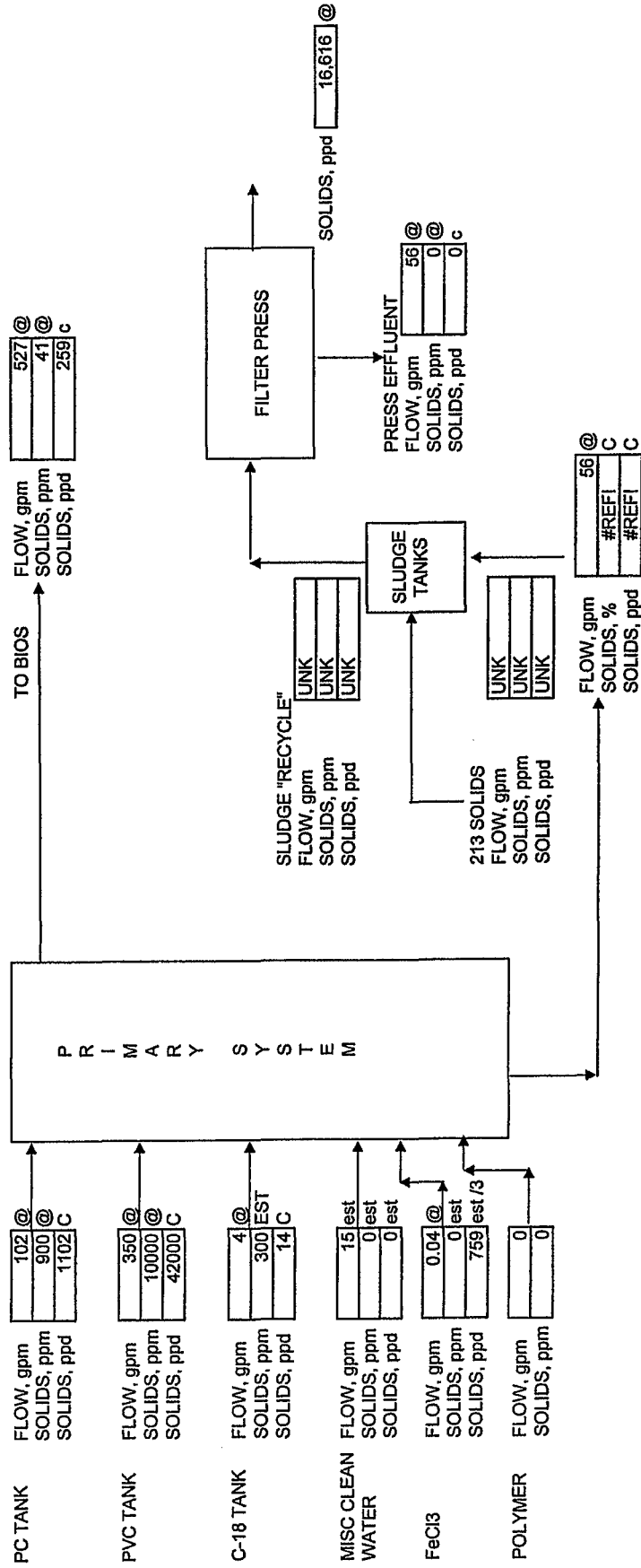
| Date      | Average Daily PVC Lift Station<br>(mg/L TSS) |
|-----------|--|
| 4/29/2003 | 1176   |
| 4/30/2003 | 1836   |
| 5/1/2003  | 1596   |
| 5/2/2003  | 436  |
| 5/3/2003  | 2412   |
| 5/4/2003  | 936  |
| 5/6/2003  | 1172   |
| 5/7/2003  | 1324   |
| 5/8/2003  | 1404   |
| 5/9/2003  | 1332   |
| 5/10/2003 | 1232   |
| 5/11/2003 | 1908   |
| 5/12/2003 | 1340   |
| 5/13/2003 | 1932   |
| 5/14/2003 | 3488   |
| 5/15/2003 | 1040   |
| 5/16/2003 | 1500   |
| 5/17/2003 | 2304   |
| 5/18/2003 | 608  |
| 5/19/2003 | 988  |
| 5/20/2003 | 1020   |
| 5/23/2003 | 5712   |
| 5/24/2003 | 2344   |
| 5/25/2003 |  |
| 5/26/2003 | 772  |
| 5/27/2003 | 668  |
| 5/28/2003 | 1504   |
| 5/29/2003 | 2028   |
| 5/30/2003 | 600  |
| 5/31/2003 | 548  |
| 6/1/2003  | 1372   |
| 6/2/2003  | 760  |
| 6/3/2003  | 8952   |
| 6/4/2003  | 968  |
| 6/5/2003  | 1228   |
| 6/7/2003  | 1684   |
| 6/8/2003  | 1564   |
| 6/9/2003  | 1456   |
| 6/10/2003 | 1560   |
| 6/11/2003 | 1004   |
| 6/12/2003 | 1040   |
| 6/13/2003 | 792  |
| 6/14/2003 | 1748   |
| 6/15/2003 | 1312   |
| 6/16/2003 | 2568   |
| 6/17/2003 | 2384   |
| 6/18/2003 | 4304   |
| 6/19/2003 | 1300   |
| 6/20/2003 | 2680   |
| 6/21/2003 | 1020   |
| 6/22/2003 | 1224   |
| 6/23/2003 | 1528   |
| 6/24/2003 | 4240   |
| 6/25/2003 | 1256   |
| 6/26/2003 | 924  |
| 6/27/2003 | 1836   |
| 6/28/2003 | 1872   |
| 6/29/2003 | 916  |
| 6/30/2003 | 1320   |
| 7/1/2003  | 2100   |
| 7/2/2003  | 1728   |
| 7/3/2003  | 1164   |
| 7/4/2003  | 1376   |

| Date      | Average Daily PVC Lift Station<br>(gpm) | Average Daily PVC Lift Station<br>(mg/L COD) | 213 Flow<br>(gpm) |
|-----------|---|--|-------------------|
| 6/29/2003 | 103                                     | 514  | 17                |
| 6/30/2003 | 125                                     | 374  | 5                 |
| 7/1/2003  | 116                                     | 458  | 22                |
| 7/2/2003  | 132                                     | 257  | 4                 |
| 7/3/2003  | 168                                     | 847  | 16                |
| 7/4/2003  | 158                                     | 694  | 8                 |
| 7/5/2003  | 145                                     | 339  | 9                 |
| 7/6/2003  | 177                                     | 211  | 23                |
| 7/7/2003  | 138                                     | 936  | 0                 |
| 7/8/2003  | 178                                     | 667  | 49                |
| 7/9/2003  | 181                                     | 634  | 41                |
| 7/10/2003 | 194                                     | 620  | 21                |
| 7/11/2003 | 163                                     | 648  | 24                |
| 7/12/2003 | 178                                     | 631  | 53                |
| 7/13/2003 | 172                                     | 803  | 41                |
| 7/14/2003 | 163                                     | 458  | 33                |
| 7/15/2003 | 180                                     | 801  | 52                |
| 7/16/2003 | 182                                     | 752  | 37                |
| 7/17/2003 | 218                                     | 342  | 53                |
| 7/18/2003 | 212                                     | 20   | 45                |
| 7/19/2003 |   | 66   | 26                |
| 7/20/2003 | 135                                     | 53   | 40                |
| 7/21/2003 | 142                                     | 59   | 40                |
| 7/22/2003 | 130                                     | 67   | 52                |
| 7/23/2003 | 136                                     | 34   | 28                |
| 7/24/2003 | 122                                     | 99   | 37                |
| 7/25/2003 | 100                                     | 15   | 24                |
| 7/26/2003 | 116                                     | 918  | 1                 |
| 7/27/2003 | 121                                     | 1022   | 20                |
| 7/28/2003 | 110                                     | 1135   | 0                 |
| 7/29/2003 | 125                                     | 575  | 24                |
| 7/30/2003 | 86                                      | 375  | 0                 |
| 7/31/2003 | 84                                      | 53   | 6                 |
| 8/1/2003  | 138                                     | 309  | 33                |
| 8/2/2003  | 121                                     | 915  | 0                 |
| 8/3/2003  | 148                                     | 323  | 28                |
| 8/4/2003  |   | 827  | 0                 |
| 8/5/2003  | 190                                     | 784  | 45                |
| 8/6/2003  | 189                                     | 324  | 9                 |
| 8/7/2003  | 168                                     | 646  | 18                |
| 8/8/2003  | 134                                     | 1029   | 42                |
| 8/9/2003  | 121                                     | 684  | 42                |
| 8/10/2003 | 139                                     | 486  | 49                |
| 8/11/2003 | 157                                     | 704  | 33                |
| 8/12/2003 | 185                                     | 545  | 56                |
| 8/13/2003 | 154                                     | 755  | 31                |
| 8/14/2003 | 178                                     | 670  | 42                |
| 8/15/2003 | 125                                     | 717  | 0                 |
| 8/16/2003 | 114                                     | 958  | 37                |
| 8/17/2003 | 150                                     | 848  | 20                |
| 8/18/2003 | 128                                     | 721  | 51                |
| 8/19/2003 | 126                                     |  | 21                |
| 8/20/2003 | 173                                     | 382  | 19                |
| 8/22/2003 | 108                                     |  | 51                |
| 8/23/2003 | 94                                      | 76   | 26                |
| 8/24/2003 | 110                                     | 108  | 25                |
| 8/25/2003 | 95                                      | 237  | 22                |
| 8/26/2003 | 106                                     | 75   | 31                |
| 8/27/2003 | 83                                      | 36   | 20                |
| 8/28/2003 | 117                                     | 61   | 10                |
| 8/29/2003 | 104                                     | 27   | 36                |
| 8/30/2003 | 120                                     | 31   | 30                |
| 8/31/2003 | 126                                     | 110  | 5                 |
| 9/1/2003  | 161                                     | 286  | 22                |
| 9/2/2003  | 155                                     | 889  | 49                |
| 9/3/2003  | 185                                     | 697  | 50                |
| 9/4/2003  | 501                                     | 580  | 48                |
| 9/5/2003  | 189                                     | 663  | 32                |
| 9/6/2003  | 116                                     | 615  | 36                |
| 9/7/2003  | 89                                      | 355  | 0                 |
| 9/8/2003  | 75                                      | 319  | 0                 |
| Average   | 135                                     | 443  | 34                |

| Date      | Average Daily PVC Lift Station<br>(mg/L TSS) |
|-----------|--|
| 7/5/2003  | 616  |
| 7/6/2003  | 2056   |
| 7/7/2003  | 916  |
| 7/8/2003  | 1068   |
| 7/9/2003  | 6088   |
| 7/10/2003 | 1732   |
| 7/11/2003 | 1936   |
| 7/12/2003 | 1116   |
| 7/13/2003 | 1704   |
| 7/14/2003 | 4552   |
| 7/15/2003 | 1340   |
| 7/16/2003 | 1868   |
| 7/17/2003 | 2564   |
| 7/18/2003 | 676  |
| 7/19/2003 | 2748   |
| 7/21/2003 | 2052   |
| 7/22/2003 | 1712   |
| 7/23/2003 | 1192   |
| 7/24/2003 | 784  |
| 7/25/2003 | 1620   |
| 7/26/2003 | 620  |
| 7/27/2003 | 1808   |
| 7/28/2003 | 1144   |
| 7/29/2003 | 820  |
| 7/30/2003 | 1668   |
| 7/31/2003 | 2696   |
| 8/1/2003  | 992  |
| 8/2/2003  | 1012   |
| 8/3/2003  | 2512   |
| 8/4/2003  | 1676   |
| 8/5/2003  | 644  |
| 8/6/2003  | 1468   |
| 8/7/2003  | 676  |
| 8/8/2003  | 840  |
| 8/9/2003  | 932  |
| 8/10/2003 | 2640   |
| 8/11/2003 | 1200   |
| 8/12/2003 | 1532   |
| 8/13/2003 | 468  |
| 8/14/2003 | 1236   |
| 8/15/2003 | 1096   |
| 8/16/2003 | 2416   |
| 8/17/2003 | 1184   |
| 8/18/2003 | 1100   |
| 8/19/2003 |  |
| 8/20/2003 | 2672   |
| 8/21/2003 | 2428   |
| 8/22/2003 | 1744   |
| 8/23/2003 | 1652   |
| 8/24/2003 | 3444   |
| 8/25/2003 | 2152   |
| 8/26/2003 | 1452   |
| 8/27/2003 | 1660   |
| 8/28/2003 | 2116   |
| 8/29/2003 | 840  |
| 8/30/2003 | 1372   |
| 8/31/2003 | 1164   |
| 9/1/2003  |  |
| 9/2/2003  | 892  |
| 9/3/2003  | 2488   |
| 9/4/2003  | 584  |
| 9/5/2003  | 1752   |
| 9/6/2003  | 1096   |
| 9/7/2003  | 2056   |
| 9/8/2003  | 1864   |
| Average   | 1915   |



BFG PRIMARY WASTEWATER SYSTEM  
MASS BALANCE



**CERTIFICATE OF SERVICE**

The undersigned certifies that a copy of the foregoing **Notice of Filing** and **Support Requested**  
**By Illinois EPA at the Hearing for Data Referenced in Table 1 of Petitioners Exhibit 11** was  
filed by hand delivery with the Clerk of the Illinois Pollution Control Board and served upon the  
parties to whom said Notice is directed by

Dorothy M. Gunn, Clerk  
Illinois Pollution Control Board  
James R. Thompson Center  
100 West Randolph Street  
Suite 11-500  
Chicago, IL 60601  
**(personal delivery)**

Deborah Williams  
Assistant Counsel  
Division of Legal Counsel  
Illinois Environmental Protection  
Agency  
1021 N. Grand Avenue East  
Springfield, IL 62794-9276  
**(first class mail and electronic  
delivery)**

Bradley P. Halloran  
Hearing Officer  
Illinois Pollution Control Board  
James R. Thompson Center  
100 West Randolph Street  
Suite 11-500  
Chicago, IL 60601  
**(personal delivery)**

on Thursday, April 15, 2004.

